
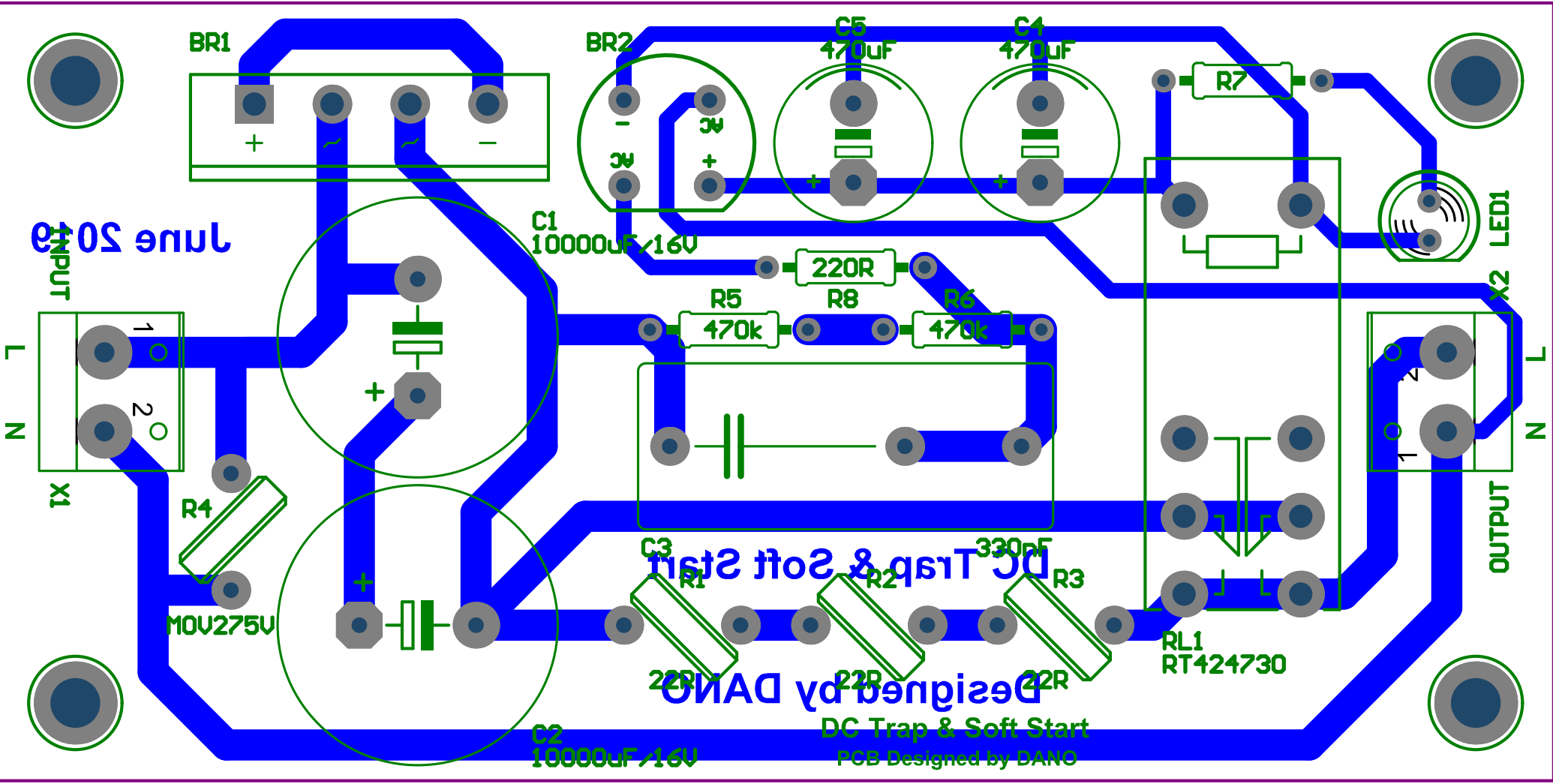


| | | | |
|--|------------------|----------------|--|
| Title DC Trap & Soft Start | | | Designed by DANO  |
| Size: A4 | Number: 1 | Revision: 1.00 | |
| Date: 8/26/2019 | Time: 8:40:54 PM | Sheet 1 of 1 | |
| File: D:\altium projects\DC_Trap_Soft_Start\D_S.SchDoc | | | |



INPUT 50V

DC Trap & Soft Start

Designed by DANO

DC Trap & Soft Start
PCB Designed by DANO

BR1

BR2

C5
470uF

C4
470uF

C1
10000uF/16V

220R

R5
470k

R8

R6
470k

R4
MOV275V

C3
22uF

R1
22R

R2
22R

330nF

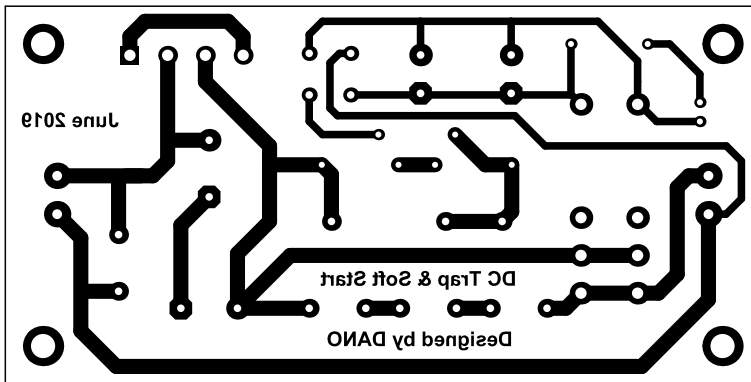
R3
22R

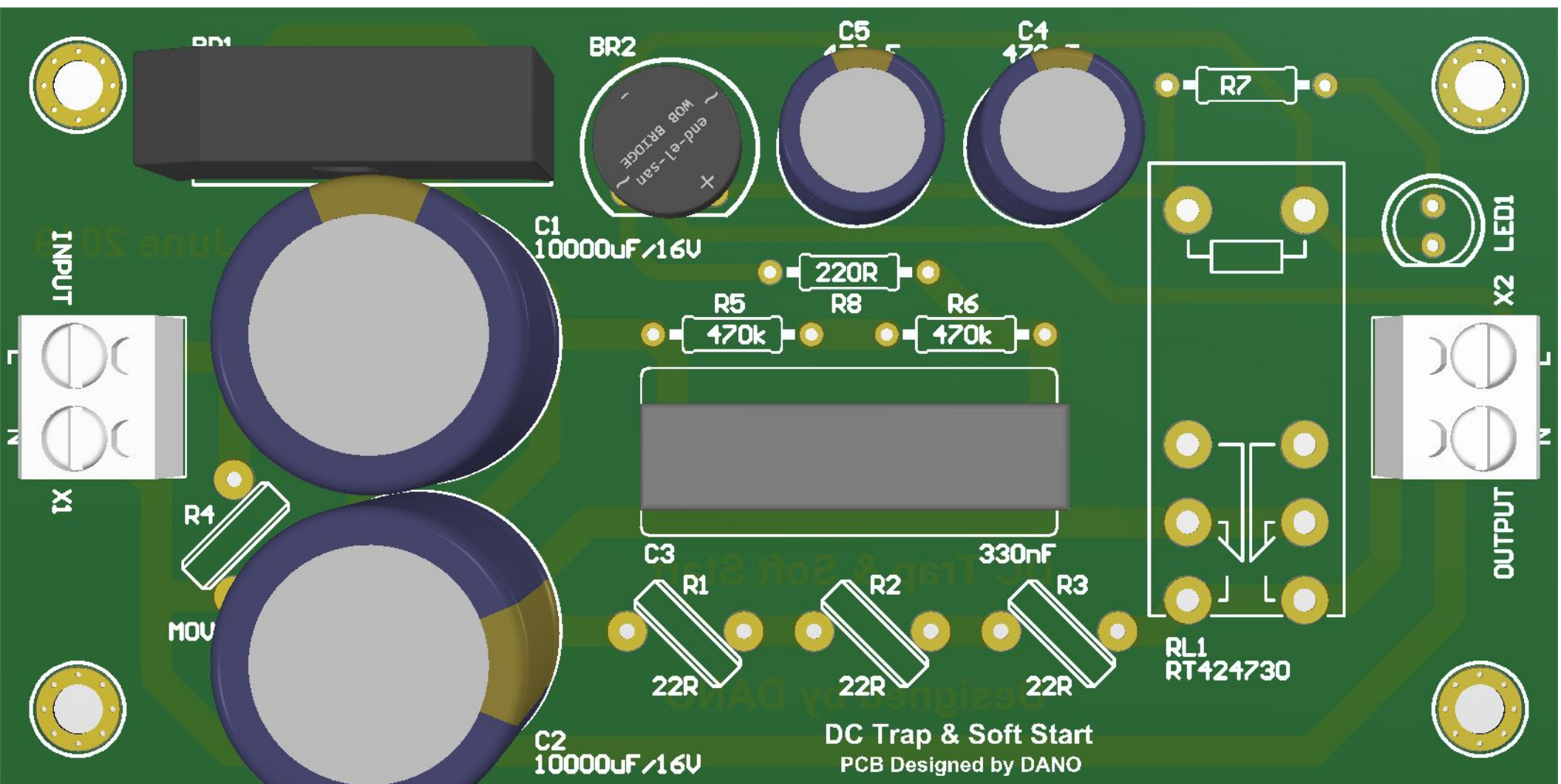
RL1
RT424730

LED1

X2

OUTPUT





BR1

BR2

C5

C4

C1
10000µF /16V

220R

R5
470k

R8
220R

R6
470k

R7

X2 LED1

INPUT

X1

R4

MOV

C3

R1
22R

R2
22R

330nF

R3
22R

RL1
RT424730

OUTPUT

DC Trap & Soft Start
PCB Designed by DANO

| Designator | Comment | Quantity |
|----------------|-------------|----------|
| BR1 | | 1 |
| BR2 | | 1 |
| C1, C2 | 10000uF/16V | 2 |
| C3 | 330nF | 1 |
| C4, C5 | 470uF | 2 |
| LED1 | | 1 |
| M1, M2, M3, M4 | | 4 |
| R1, R2, R3 | 22R | 3 |
| R4 | MOV275V | 1 |
| R5, R6 | 470k | 2 |
| R7 | | 1 |
| R8 | 220R | 1 |
| RL1 | RT424730 | 1 |
| X1 | INPUT | 1 |
| X2 | OUTPUT | 1 |