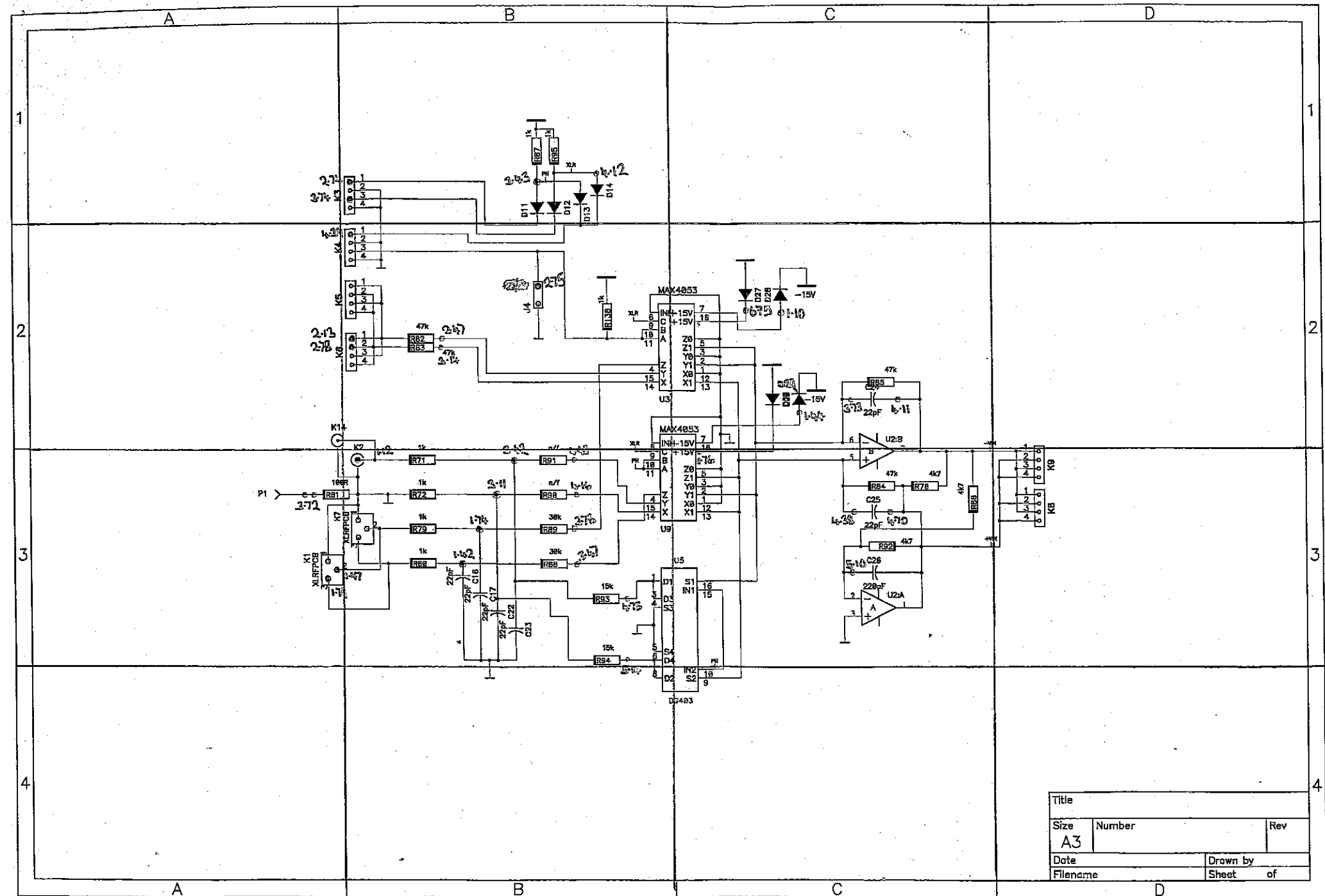
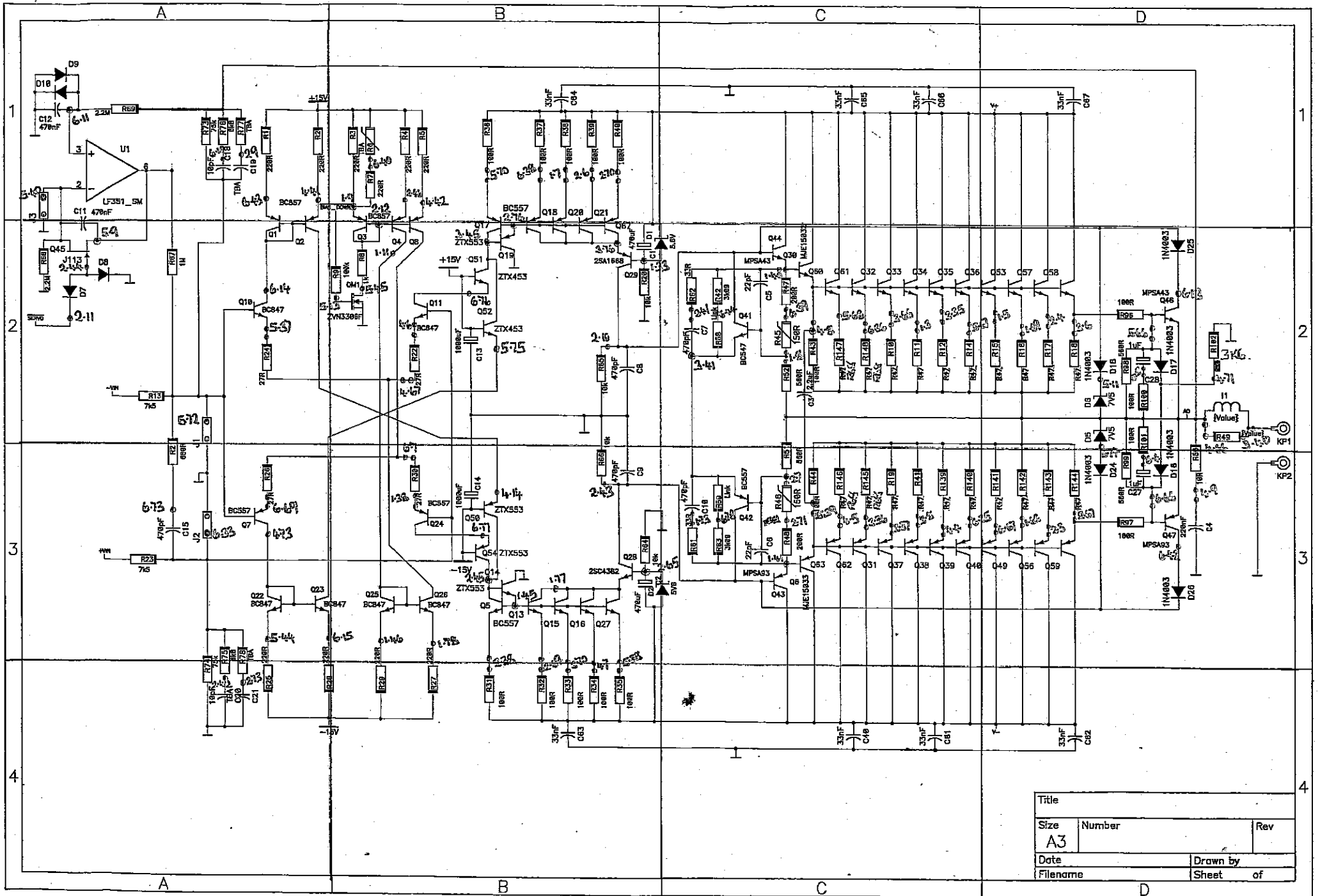


Title		
Size	Number	Rev
A3		
Date	Drawn by	
Filename	Sheet of	



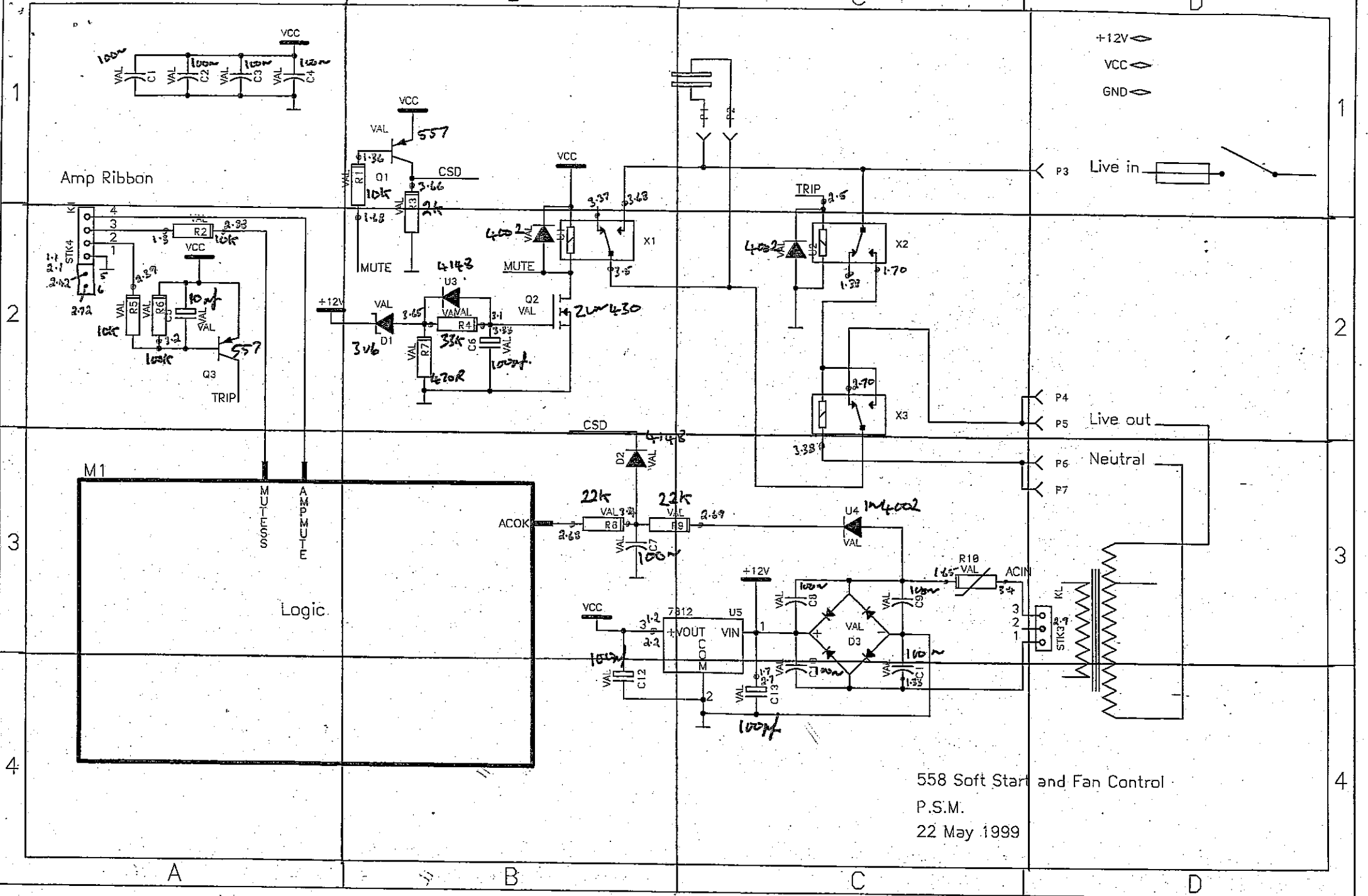
Title		
Size	Number	Rev
A3		
Date	Drawn by	
Filename	Sheet	of

559 AMP SHT 2 OF 3



Title		
Size	Number	Rev
A3		
Date	Drawn by	
Filename	Sheet of	

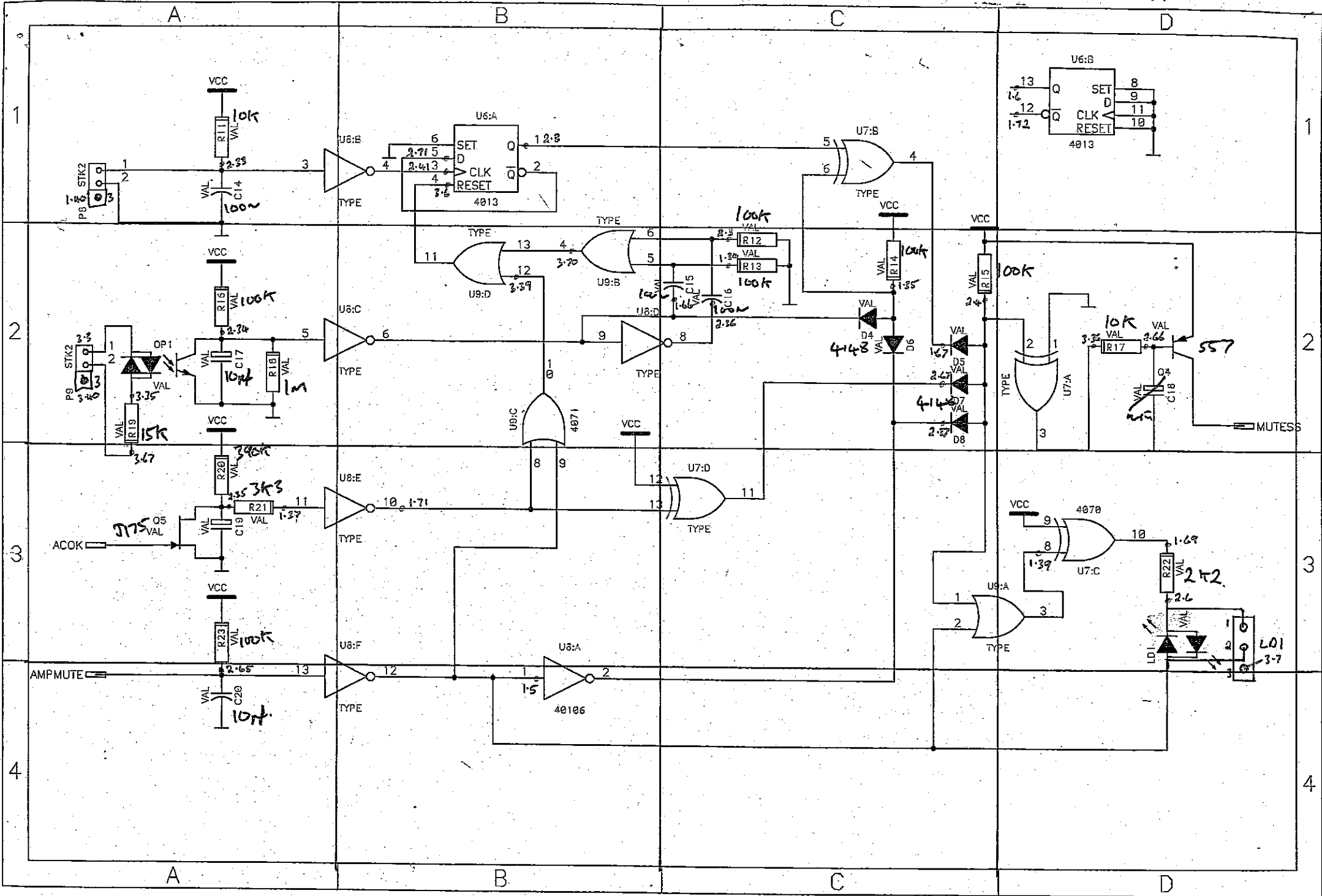
559 AMP SMT 3 of 3



558 Soft Start and Fan Control  
P.S.M.  
22 May 1999

558 + 559

SHEET 1 OF 2



P.S.M. 5585SV3.PCB  
Tue Dec 21 1999

# MERIDIAN

